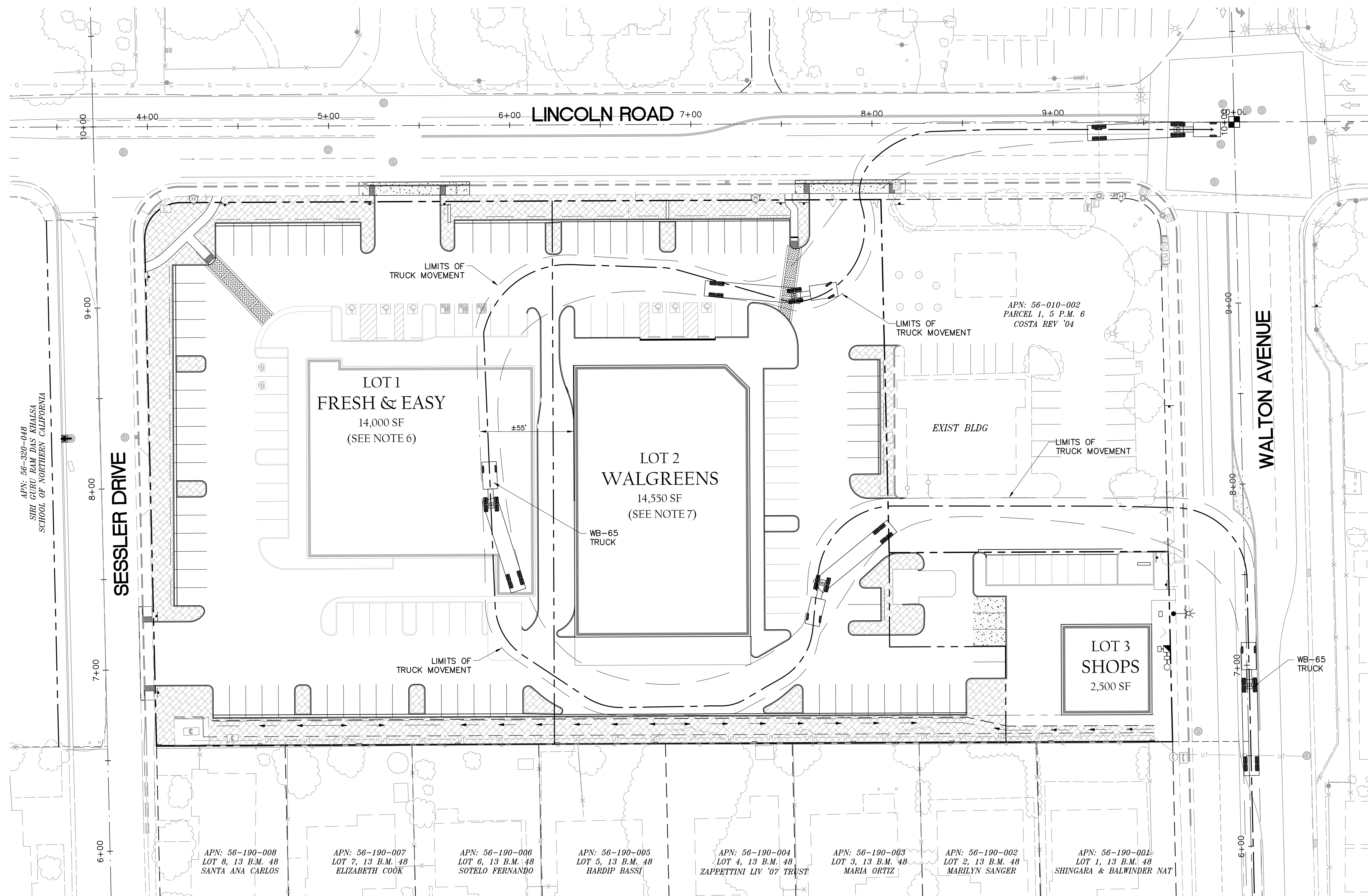
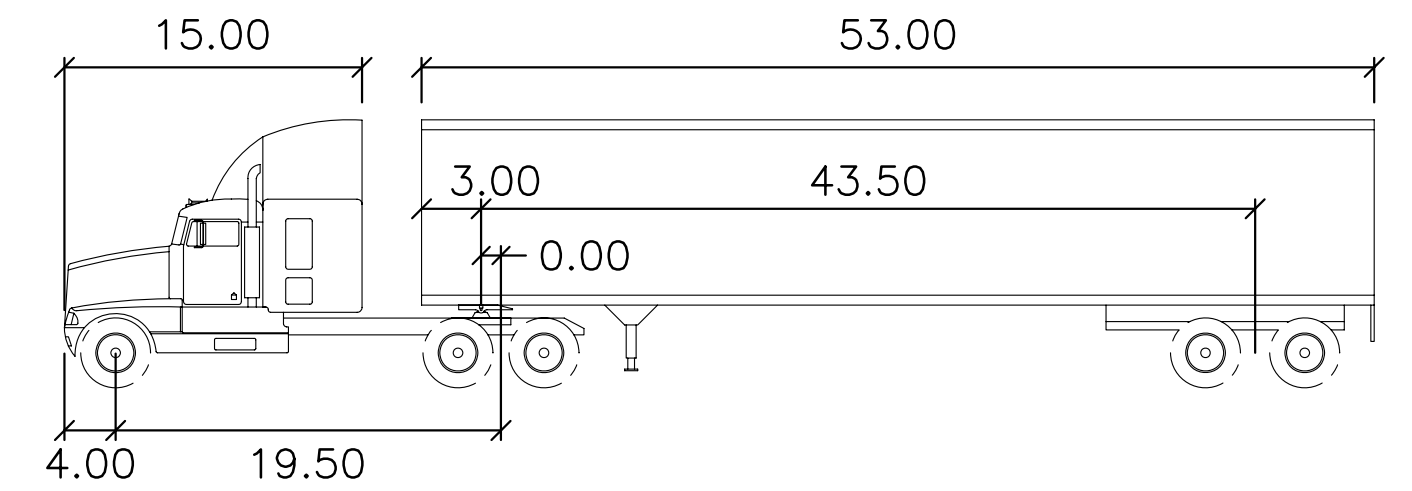


EXHIBIT - WB-65 TRUCK TURNING
LINCOLN -WALTON RETAIL
 1640 LINCOLN ROAD
 YUBA CITY, CA



WB-65 TRUCK DETAILS



WB-65	feet		
Tractor Width	: 8.00	Lock to Lock Time	: 6.00
Trailer Width	: 8.50	Steering Angle	: 28.40
Tractor Track	: 8.00	Articulating Angle	: 70.00
Trailer Track	: 8.50		

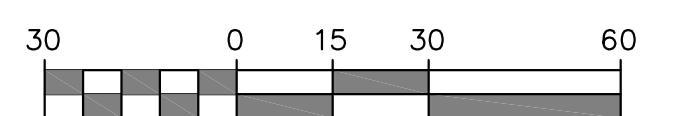
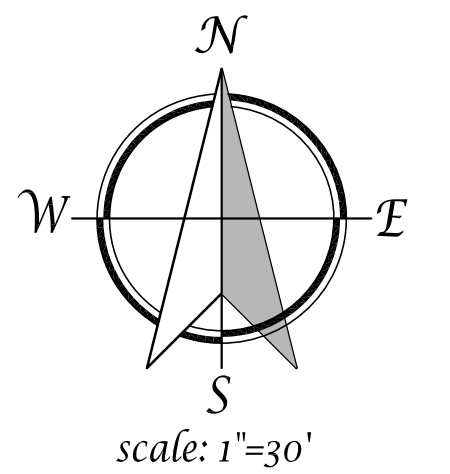


EXHIBIT - WB-65 TRUCK TURNING
 JULY 02, 2009



31 Natoma Street, Suite #160
 Folsom, CA 95630
 TEL: 916-608-0707 FAX: 916-608-0701